



Main-IoT MULTIGUARD

A new era of monitoring

Main-IoT MultiGuard is a wireless, configurable multi-sensor. This multi-purpose IoT-device measures, monitors and sends sensor data to cloud for visual presentation and further processing. Device is capable of constant measuring, detecting data changes and sound alarms in public and private indoor spaces.

Application examples

- Standard environmental measurements (e.g. CO₂, temperature and humidity)
- Presence and space occupancy e.g. classrooms and office spaces (PIR, dB, CO₂)
- Sound detection for household fire alarm detectors

Communication

Versions for Sigfox regions 1, 2, 3 and 4

Up to 140 uplink and 4 downlink messages per day (depending on Sigfox account)

Data

Sensor data can be retrieved from either MultiGuard server using dedicated API or redirected to customer servers using customized callbacks.

Battery life

Depends on device configuration, application and battery type. Typical range being from 2 to 5 years.

Sensors available

Sensor	Range	Accuracy
• Temperature	-40...+125°C	(+/- 0,4°C)
• Humidity (relative)	0...100 %	(+/- 4 %)
• VOC	0...60000 ppb	(+/- 15%)
• CO ₂ (External power supply required)	400...10000 ppm	(+/- 30 ppm + 3%)
• Pressure	300...1100 hPa	(+/- 1 hPa)
• Light level	0...20000 Lux	(+/- 20 %)
• Sound level, A-weighted (dB)	50...110dB	(+/- 3 dB)
• Sound alarm detection	Customized for application	
• PIR	Customized for application	
• (I/O interface for additional sensors)	Customized for application	

Note: All sensor range and accuracy values are based on data provided by sensor manufacturers



Discover more:
MAIN-IOT.COM

Manufactured by
XORTEC OY

Höytämöntie 6,
33880 Lempäälä
FINLAND

Tel. +358 10 424 0900
xortec@xortec.fi
xortec.fi

Main-IoT Leak Guard works on
the global Sigfox IoT network.

XORTEC
RETHINKING ELECTRONICS

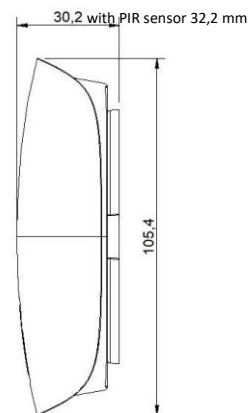
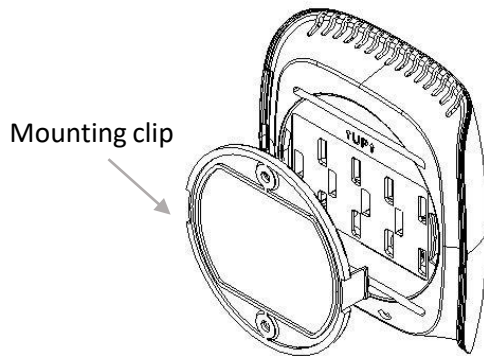
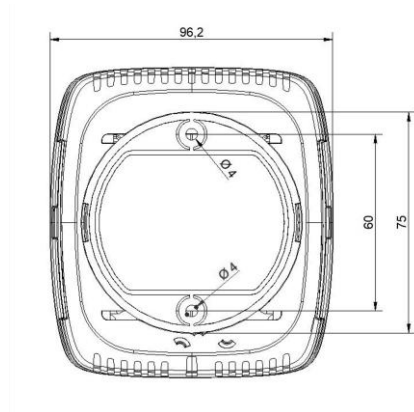
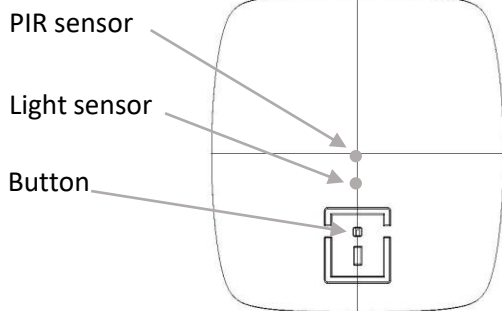


Main-IoT MULTIGUARD

A new era of monitoring

Dimensions:

Dimensions (in mm)	: 96,2 x 105,4 x 30,2
Weight	: 78gr (no batteries), 108gr (2 batteries), 138gr (4 batteries)
IP Code	: IP21
Battery type	: Alkaline or lithium, size AA, 2 or 4pcs
External power supply	: 5V USB-C (requires adapter board)



Discover more:
MAIN-IOT.COM

Manufactured by
XORTEC OY

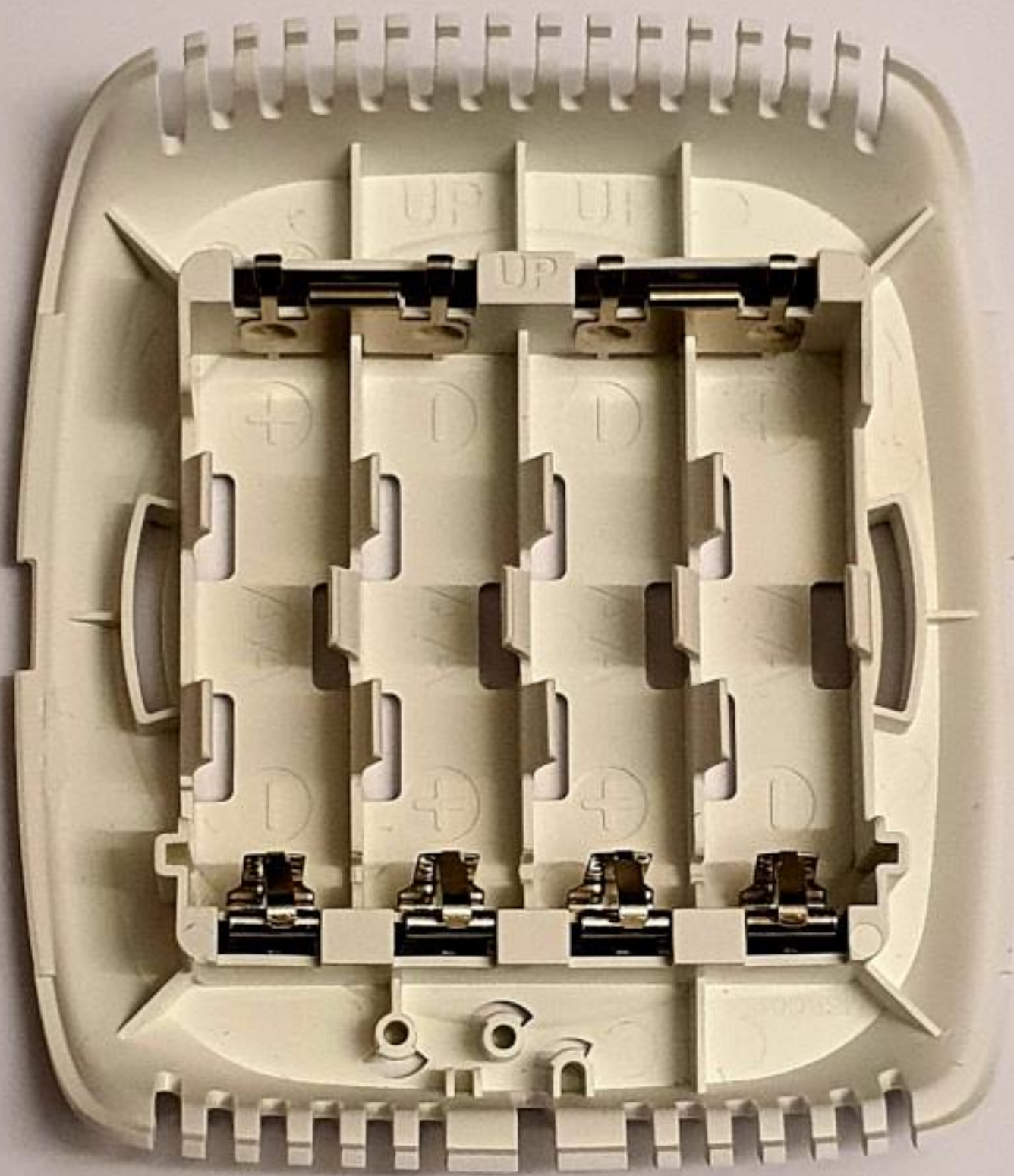
Höytämöntie 6,
33880 Lempäälä
FINLAND

Tel. +358 10 424 0900
xortec@xortec.fi
xortec.fi



XORTEC
RETHINKING ELECTRONICS

Main-IoT Leak Guard works on
the global Sigfox IoT network.





+

Panasonic

Alkaline/Zinc Chloride

Not for Recycle
Please recycle properly

+

Panasonic

Alkaline/Zinc Chloride

Not for Recycle
Please recycle properly

+

Panasonic

Alkaline/Zinc Chloride

Not for Recycle
Please recycle properly

+

Panasonic

Alkaline/Zinc Chloride

Not for Recycle
Please recycle properly

